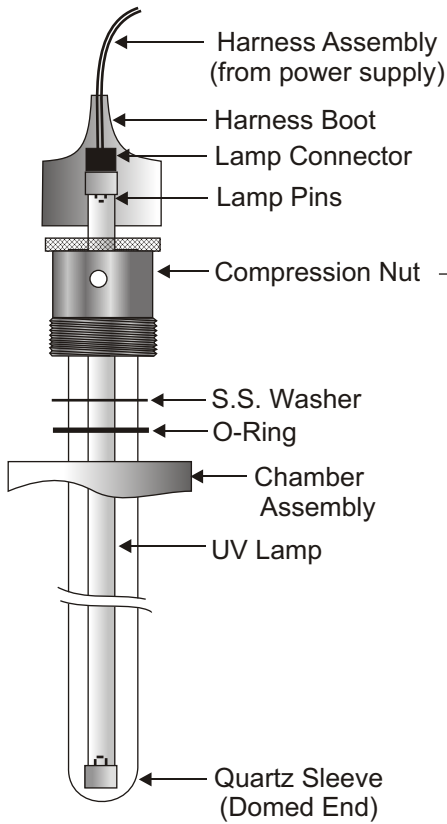
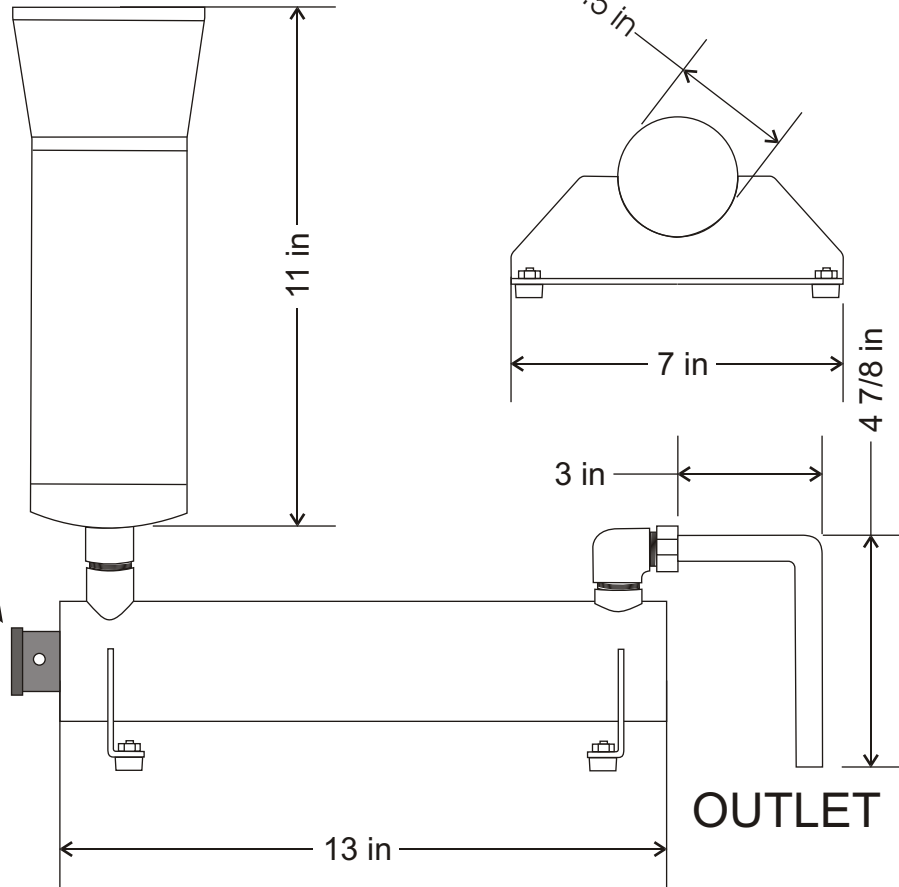


NOT TO SCALE



**Note:** When inserting quartz into chamber, slip-o-ring onto the quartz to prevent slipping into chamber.

INLET



**CONFIDENTIALITY NOTICE**  
The information contained in this drawing is owned by UV Superstore. Unauthorized copying or other reproduction is strictly prohibited.



**UV Superstore**

820 Tucker Court - Winder, GA 30680  
Phone : (770) 307-3882 • Fax: (770) 307-3872

DESCRIPTION:  
**Ozone Destruct Lab Unit UV-LAB-DE03**

DRAWN BY: BR	DATE: 8/5/2005
CHECKED BY:	DATE:
APPROVED BY:	DATE:
SCALE (8 1/2" X 11"): 1"=4"	LOG NUMBER:

QUOTE NO.

UV-Lab101

DWG NO. REV.